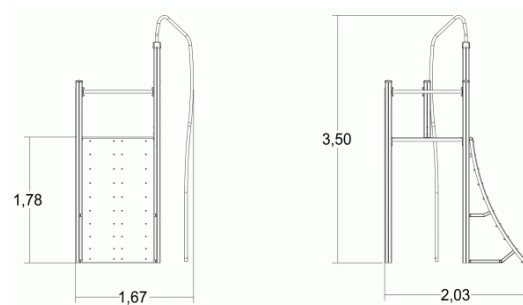
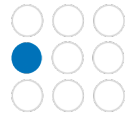


8+ 4 2,4m

1 = 2,06m
2 = 1,67m
3 = 3,5m



Motor inclusion
Sensory inclusion
Mental inclusion



Play value : **3**

sliding



x1

meeting



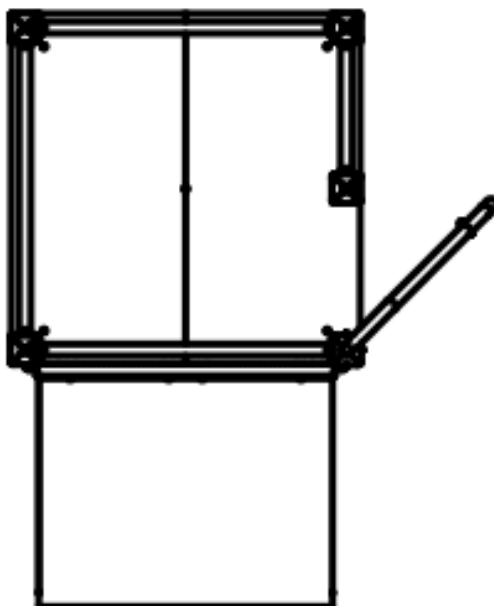
x1

climbing



x1

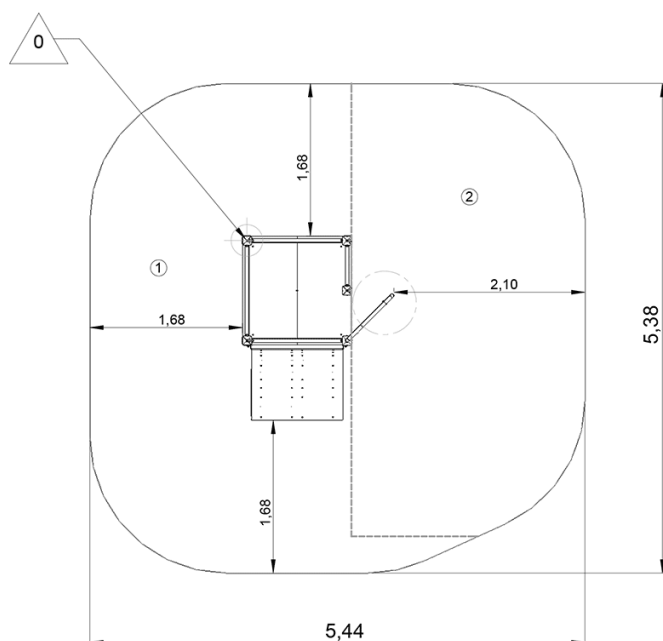
Components



Installation of equipment

Impact area =

— Impact area
- - - Free space



1	1,77m	15m ²
2	2,4m	12m ²



2

04h00

0.19m³

27m²

259kg

80kg

EN

1176